

klappBAR

foldable bar

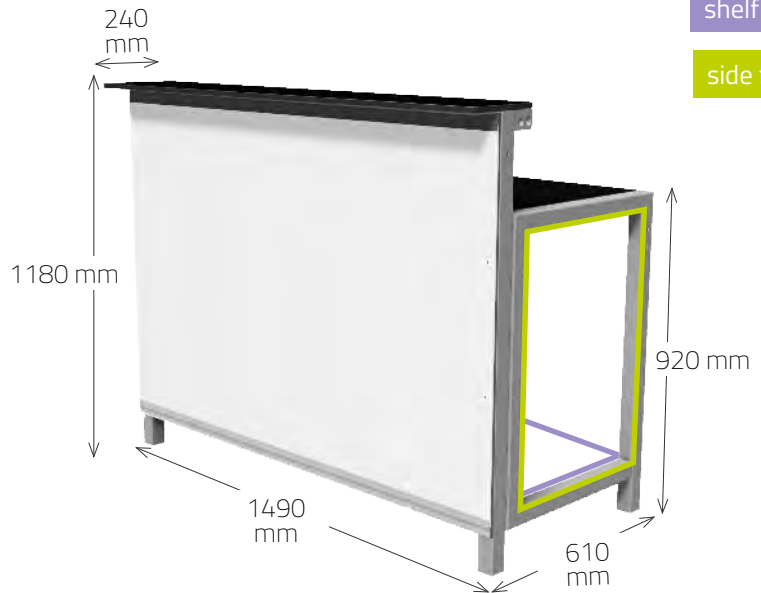
OPTIONAL

shelf floor

side filling

Ideal for every kind of event and other fields of use.

The KlappBar (folding counter) is extremely flexible and robust, can be unfolded within seconds and disappears space-saving in your storage.



product details:

- robust working tops: plastic or water resistant layer-glued phenolic resin film wooden countertop and board, massive alu-construction
- folded/unfolded in just under 30 seconds
- folded only 13 cm deep
- weight per bar-element: 47 kg
- transport trolley for 5 bars on premium rollers



example pictures

extras:

- transport trolley
- corner
- different backpanel systems available

90° corner

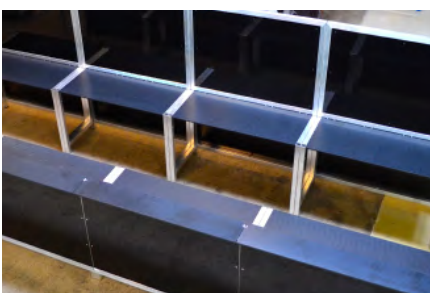

45° corner




transport trolley

on a on ball bearing. One trolley = 7,45 running meters on just 150 x 80 cm (transport measurement)

backpanel system

+43 (0)2622 / 42 316
MO - FR von 8:00 - 12:00



office@id-cm.com



Feuerwerksanstalt 584
700 Wr. Neustadt

backpanel foldable

DIVRENT TOP PARTS:

sightprotection

bottleshelf

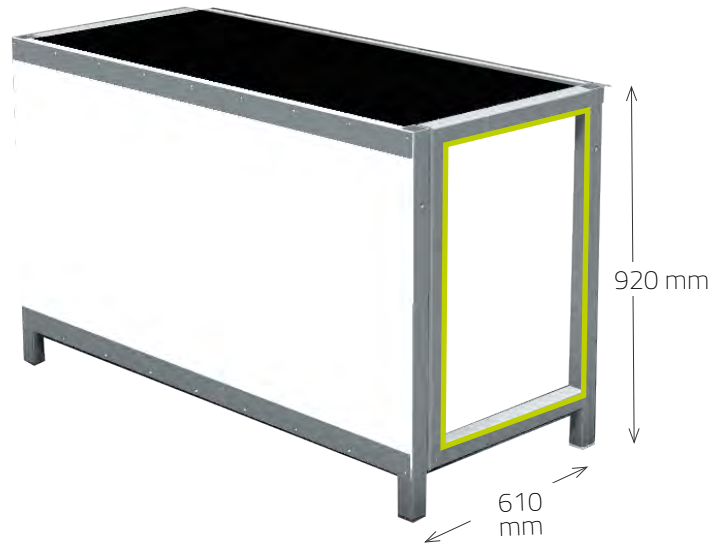
bar board

the perfect complement

Sight protection, bottle shelf, buffet desks or with bar boards as mobile bar - Our back panels can be easily combined with our counter system, because of their multiple using option. Transportation and installation are very simple because of its sophisticated construction. Tresen. Durchdachte

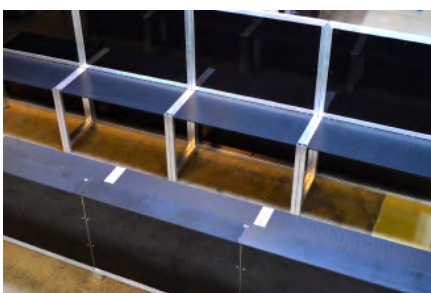
Produktbeschreibung:

- robust working tops: plastic or water resistant layer-glued phenolic resin film wooden countertop and board, massive alu-construction
- fronts: white, black or direct printed
- folded/unfolded in just under 30 seconds
- transport trolley for 5 bars on premium rollers



extras:

- transport trolles
- many kinds of to pieces
- side fillings



+43 (0)2622 / 42 316
MO - FR von 8:00 - 12:00



office@id-cm.com



Feuerwerksanstalt 584
700 Wr. Neustadt